



Striving for Excellence
In the Marist Tradition

St Mary's Catholic School

Putāruru

Tumuaki – Mrs Jenny MacKenzie

NEWSLETTER

22nd September 2023

Tohaina ō painga kit e ao – Share your gifts with the world

MARIST

Excellence in learning and behaviour

We work hard

Kia mahi tahi tatou

ATTITUDE

Positive can-do attitude

We don't give up

Ngakau rekatou



RESPECT

Consideration for ourselves,
others

And the environment

We are caring and helpful

Manaakitanaatou

YES

Yes to following in the footsteps of Jesus

We say Yes to doing the right thing

Kia mahi pono tahi tatou kit e mahi
tikatou

5 MacKenzie Street, Putāruru. Phone (07) 885 1006. Mobile 027 333 3445. Email office@stmarysput.school.nz

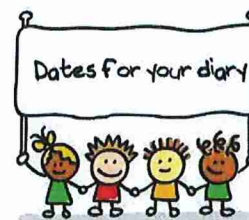
FRUIT OF THE HOLY SPIRIT – SELF CONTROL – TERM 3

ngā mihi mahana nui kia koutou katoa – a warm greeting to you all

**A reminder that daylight savings starts on Sunday morning
Have a safe and relaxing holiday with your whānau**

DATES FOR YOUR CALENDAR

22 nd Sept	-	End of Term 3
9 th Oct	-	Start of Term 4 (summer uniform)
11 th Oct	-	AG Day
25 th Oct	-	Amazing Race (details to follow)
26 th Oct	-	Wearable Arts @ The Plaza 6:45pm
9 th Nov	-	School Athletics
13-17 th Nov	-	Year 7/8 Camp in Wellington
21 st Nov	-	Interschool Athletics
28 th Nov	-	Year 5/6 Beach Trip
30 th Nov	-	Flower Show / Grandparent Day
4-8 th Dec	-	Deck the Hall
11 th Dec	-	Neighbours Concert
15 th Dec	-	END OF 2023 SCHOOL YEAR



LAST DAY OF TERM – FRIDAY 22ND

We will be having a "muffin" day on Friday – a gold coin donation would be appreciated which will be used to go towards our World Vision Child that St Mary's sponsor.

WEARABLE ARTS

This year our Wearable Arts will be held on **Thursday 26th October at The Plaza**. This year the theme is "The 4 Elements". **WAI - AHI - WHENUA – HAU (WATER – FIRE – EARTH – AIR)**

Tickets will be on sale at the school office from Monday 16th October (or on the night at The Plaza). Front section seating \$15 per ticket; General seating \$10 per ticket; 5-14 years old \$5 per ticket; under 5's free if on a knee.

TERM 4 – UNIFORM - Please note that Term 4 is **SUMMER UNIFORM**

GIRLS – blue and white checked dress, white ankle socks, black leather shoes or brown/black Roman sandals.

BOYS – grey summer shorts and grey short sleeved shirt, black leather shoes and grey socks with two blue bands, or brown/black Roman sandals.

All these items can be purchased from the Warehouse in Matamata.



WHAKANUI ANGITU - CELEBRATE SUCCESS

Some of our Year 6-8 students recently took part in the Otago University Problem Challenge, this is a mathematics problem solving competition for all New Zealand Intermediate Schools. Our students did extremely well, as follows

Whai wāhitanga Participation - Bella Evangelista (Y6), Hannah Colman (Y6), Greer Campbell (Y7), Sophie Sok (Y7), Liam McGuire (Y8)

Kaiaka Merit - Emily Loughnan (Y6), Octavia Farrell (Y6), Jaco Beazley (Y7), Aryan Rode (Y7), Tobias Christensen (Y7), Freya Marr-John (Y8), Maz Te Whaiti (Y8), Kelvin Yang (Y8), Tobias Farrell (Y8)

Kairangi Excellent - Charlotte Walsh (Y7), Eric Yang (Y7)

Tino tika Perfect - Thomas Hayward (Y8) with a perfect score of 100%



YEAR 7/8 CAMP

The cost for the Year 7 & 8 camp to Wellington this year is \$250.00 per student. We are still finalising the parent cost and will let you know this during week 1 of term 4. Camp payments can be made to the school account. Weekly payments can be made please reference the payment to CAMP. Thank you

SHREK

We hope that everyone has been enjoying the SHREK production, the performances so far have had great reviews and everyone is looking forward to the final performance this evening. We would like to send a BIG APOLOGY to a few students that were left off the programme (massive apology from Sandra)

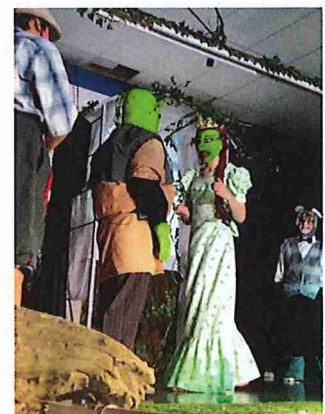
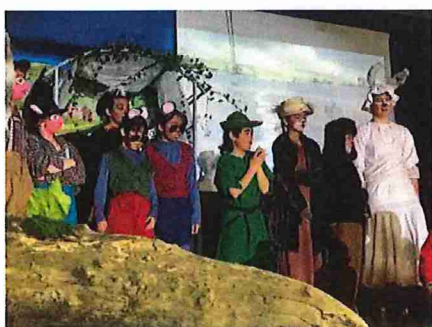
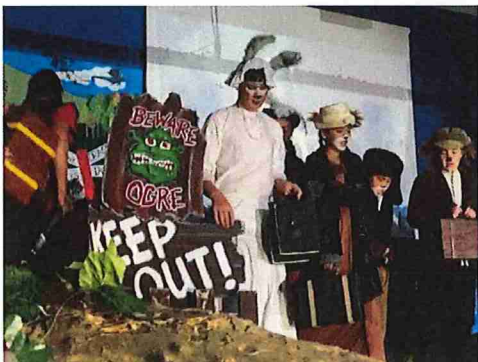
The beautiful flames with Dragon

Jade Wood
Paige Samkin
Sophie Sok

And our fabulous rooster

Kieran Tunnell

Again, massive apologies to those students, and their families, this was an unintentional oversight.



WHAKAWHETAI KI A KOUTOU KATOA - THANK YOU

A huge thank you to McGuire Bulk Haulage, the Christensen family, and Sutton + James Hair Salon for their generous sponsorship and support in making our Spell-O-Rama a success! We raised an incredible \$956.20 (as of 20/9) for the Year 7 & 8 camp in Wellington this November. Your commitment to our school community is truly appreciated.

Please ensure that ALL money is returned to the school office by tomorrow. Thank you.

SUTTON + JAMES

Phone: 07 883 8632, 1 Duke Street, Putaruru



BRENT MCGUIRE - Owner Operator
027 468 1234
mcguirebulk@xtra.co.nz

» Aggregates » Stockfeed » Fertiliser » Landscape Supplies

2023 Kiwi English, Mathematics and Science Competitions



The University of Canterbury offers schools the opportunity for students to participate in the KIWI English, Mathematics and Science competitions. These supervised online tests took place in the last three weeks of Term 2 and the first week of Term 3. We congratulate the following students for their tremendous effort:

Year 5

Bella Evangelista - Merit in English, Participation in Mathematics, Participation in Science

Year 6

Hannah Colman - Achieved in English, Participation in Mathematics, Participation in Science

Juliette Curphey - Participation in English, Achieved in Science

Octavia Farrell - Achieved in English, Achieved in Mathematics, Participation in Science

Emily Loughman - Excellence in English, Achieved in Mathematics, Achieved in Science

Maia White - Participation in English, Achieved in Mathematics, Participation in Science

Year 7

Jaco Beazley - Participation in English, Participation in Mathematics, Achieved in Science

Tobias Christensen - Participation in English, Participation in Mathematics, Achieved in Science

Charlotte Walsh - Merit in English, Participation in Mathematics, Participation in Science

Eric Yang - Achieved in English, Achieved in Mathematics, Participation in Science

Year 8

Tobias Farrell - Merit in English, Achieved in Mathematics, Achieved in Science

Thomas Hayward - Achieved in English, Merit in Mathematics, Achieved in Science

Freya Marr-John - Excellence in English, Achieved in Mathematics, Achieved in Science

Kelvin Yang - Achieved in English, Merit in Mathematics, Achieved in Science

TOUCH RUGBY

A notice will be coming home today regarding touch rugby – this starts first Friday of Term 4 from 4-5:30pm. There is a cost of \$10 for each student participating, an invoice will be sent home for this once the teams are finalised. We need the names of participants by tomorrow at the latest so please ensure the notice comes back to the office tomorrow (or you can email Sandra).

PLAZA – HOLIDAY MOVIES



Movie Day

Elemental

28th September ★ 10am ★ The Plaza Theatre

Free entry, snacks & drinks

THE PLAZA **KBeez** **blue light**
empowering youth

The poster features a red carpet leading to a white stage, with logos for The Plaza, KBeez, and blue light at the bottom.



The PLAZA
WWW.PLAZA.ORG.NZ

MAVKA
THE FOREST SONG

JOIN US ON WEDNESDAY, 27TH SEPTEMBER

YOUNG AND NAIVE FOREST SPIRIT MAVKA, DEVELOPS FEELINGS FOR A HUMAN MUSICIAN, LUKAS. AS THEY GROW CLOSER TO EACH OTHER, AN INEVITABLE SITUATION FORCES MAVKA TO CHOOSE BETWEEN HER LOVE AND HER DUTY AS A GUARDIAN OF THE FOREST.

THE PLAZA THEATRE 50 KENSINGTON STREET, PUTARURU
PUTARURU

DOORS OPEN AT 9:30 AM THE MOVIE STARTS AT 10 AM
ADMISSION : \$5 ENTRY

The poster features a large illustration of a young girl with green hair and eyes, set against a dark background with red curtains.



WEARABLE ART SHOW

St Mary's Catholic School Putaruru



Thursday 26th October 2023

Theme: 'The Four Elements'

We appreciate the attendance of All Students from Years 1-6

Years 1-6 will present their Masks and Hats

Students to be at the Plaza by 6:30pm

The show starts at 6:45pm

**Parents need to collect children from their
teachers at the end of the show, safety is paramount**

Year 7 & 8 Students

Costumes need to be at the Plaza by 11am Thursday 26th October

Students to be at the Plaza by 5:30pm

The Show will finish at approximately 9 pm.

Tickets will be available from the School Office

From Monday 16th October for pre-sales,

or can be purchased on the night.

Payment to the PTA bank account - St Mary's PTA

03-0418-0114136-05 (reference Wearable Arts & Name)

Front section seating \$15 per seat regardless of age.

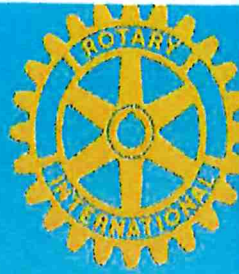
General seating \$10 with under 14yrs free.

PTA raffle for sale on the night - Awesome Prizes

\$2 each or 3 for \$5



Rotary
Putaruru



2023 ANNUAL BOOK SALE

Good quality books can be dropped

into Farmlands Putaruru

Or direct to the hall Mon 2nd Oct 10—12midday

or Ph Judith 027 2854915 to organise drop off

Venue for this year's BOOK SALE

St Mary's Hall, Kensington St, Putaruru

OPENING HOURS:

- Wednesday	4th October	9am —	4pm
Thursday	5th October	9am —	4pm
Friday	6th October	9am —	4pm
Saturday	7th October	9am —	11am

"Raising funds to give back to our community"

Thank you to St Mary's and
South Waikato Funeral Services
for sponsorship

WANTED

We also recycle vehicle
BATTERIES, can tabs, bra's
Ph 027 2854915



**Putaruru Volunteer Fire Brigade
are running a Kids Colouring In Competition!**

**THERE ARE PRIZES TO BE WON! So get your creative
minds working and amaze us with your artwork!**

**Starts: Monday 18th Septemeber 2023
Finishes: Monday 2nd October 2023
Winners Drawn: Friday 6th October 2023**

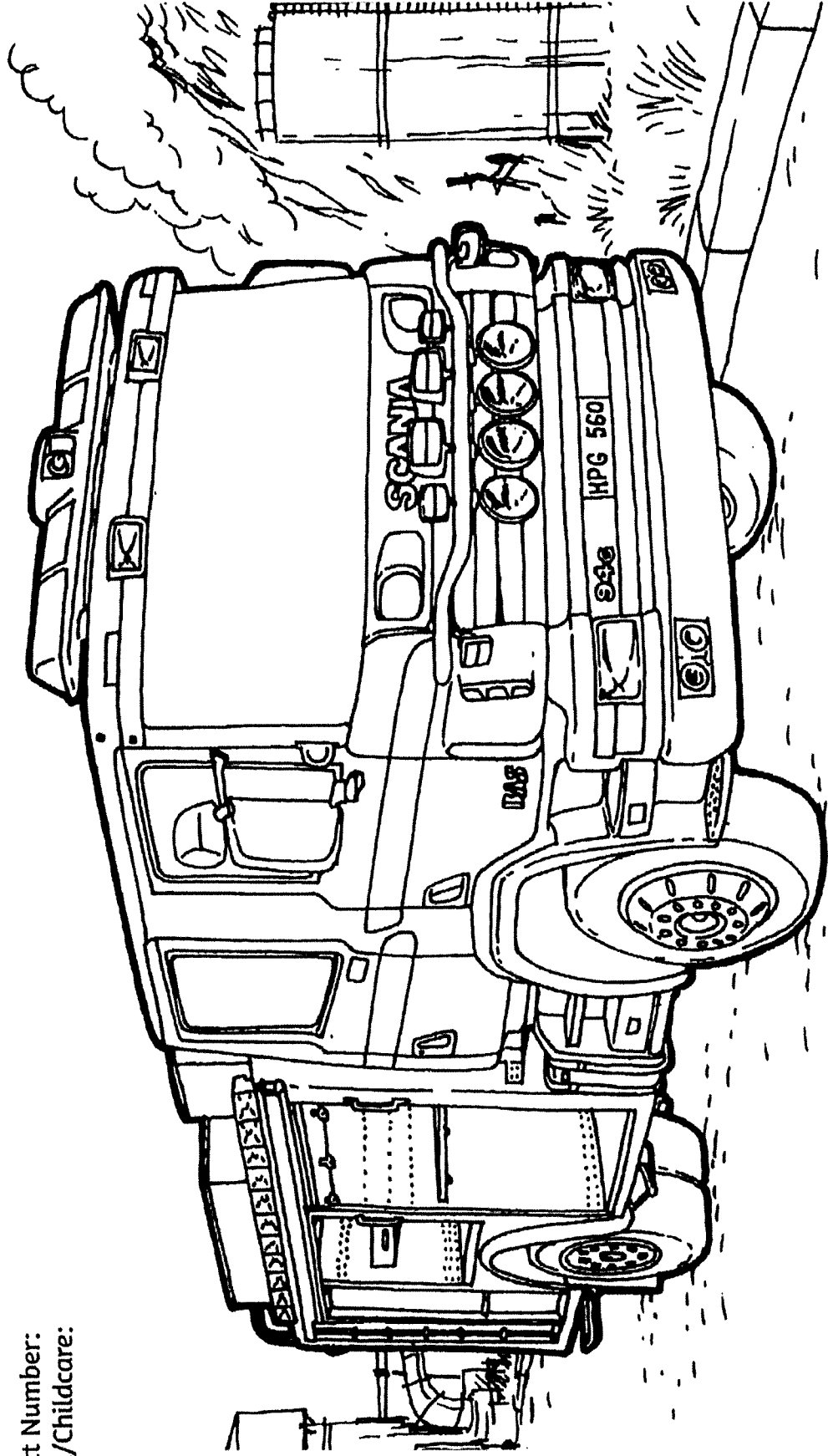
Age Categories: 0-3years 4-7years 8-12years

**We have attached 3 pictures - one for each age
category**

**Please write the child's NAME, AGE, BEST CONTACT
NUMBER and SCHOOL/CHILDCARE (if being done
through their school/childcare) on their artwork**

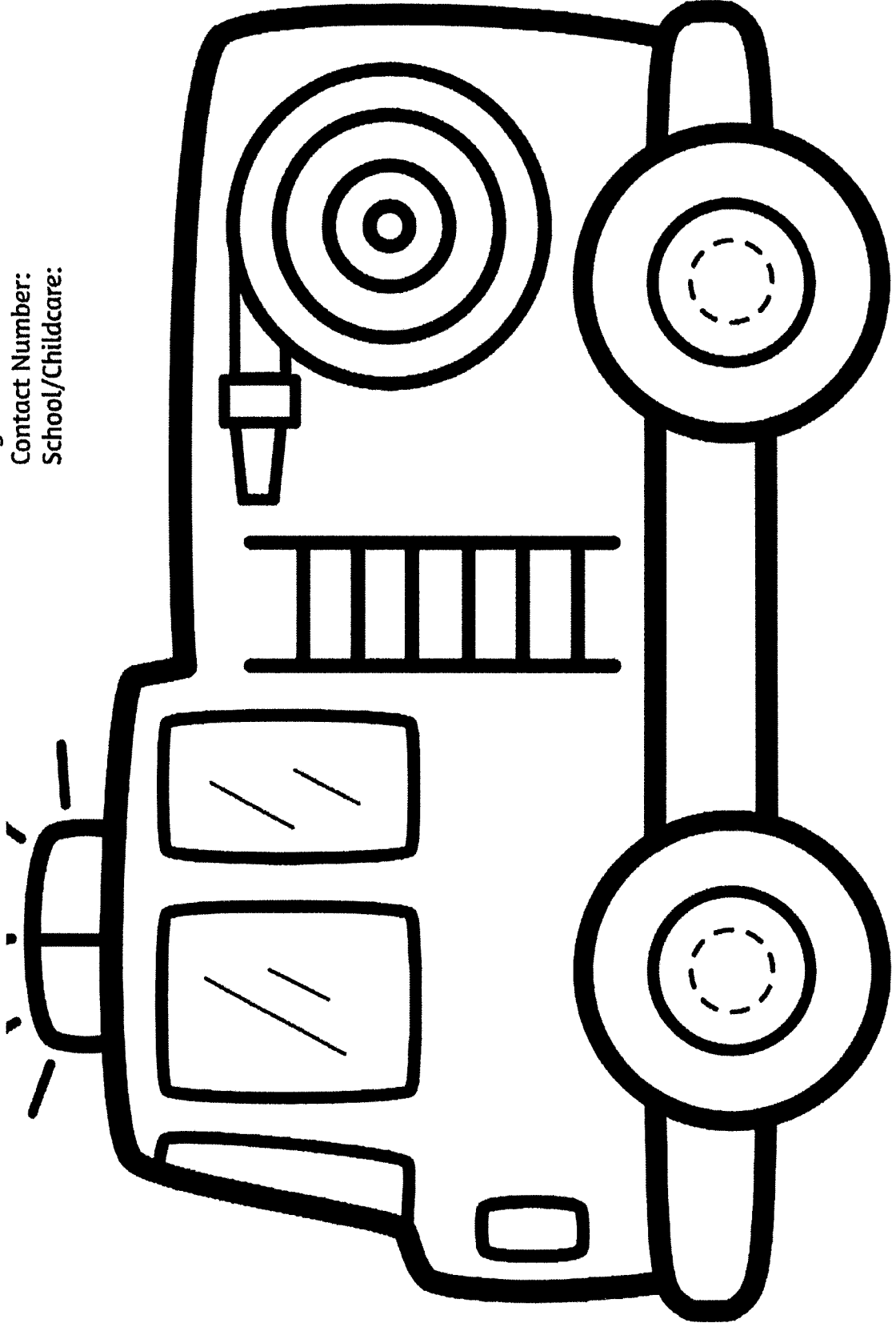
**Please email to:
Nicole.Morgan.Fire@outlook.co.nz
Alternatively- last minute drop offs can be made to
the Putaruru Fire Station on Monday 2nd October
between 6:00pm - 6:30pm**

Name:
Age:
Contact Number:
School/Childcare:



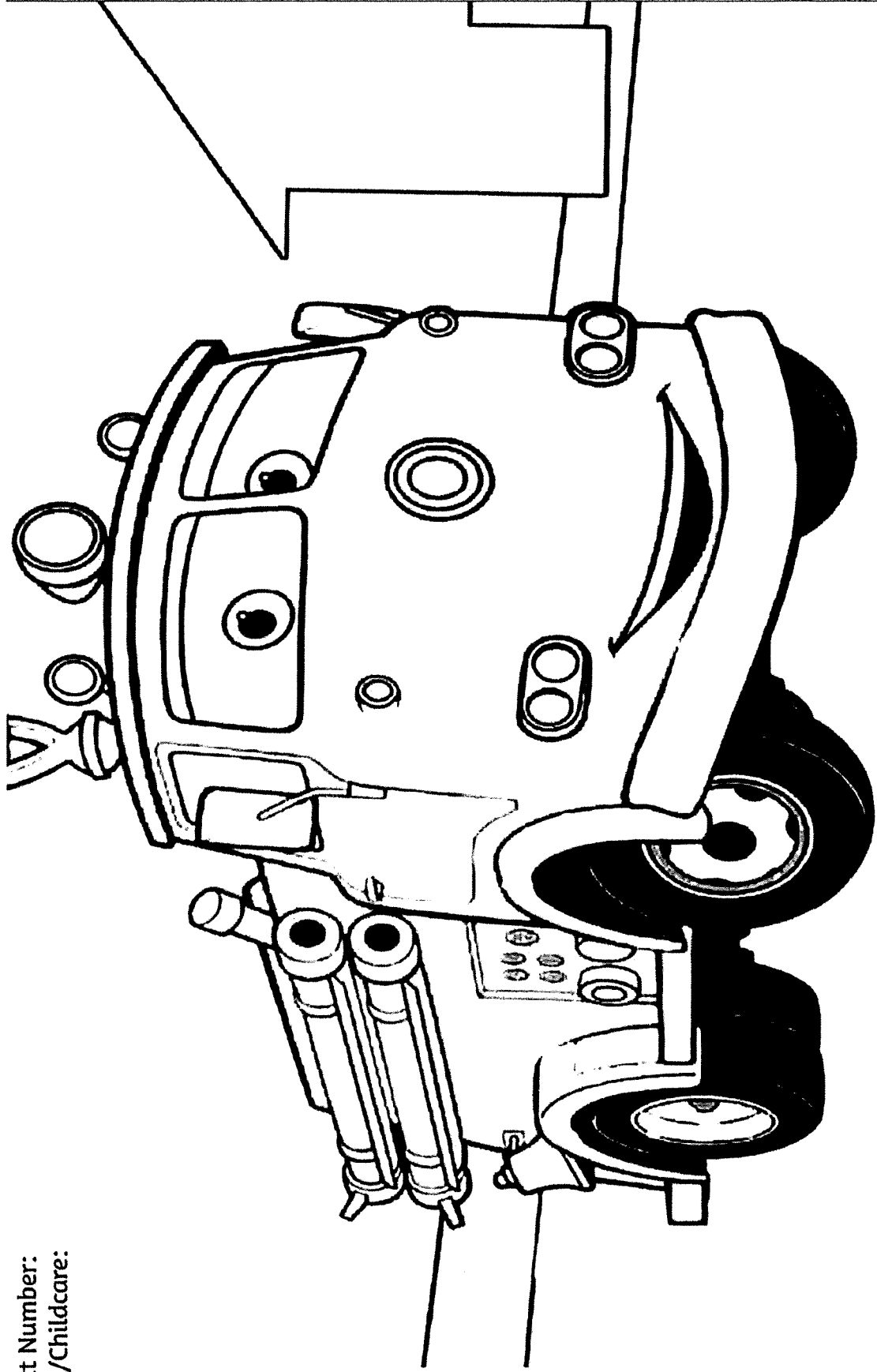
8-12 years

Name:
Age:
Contact Number:
School/Childcare:



0-3 years

Name:
Age:
Contact Number:
School/Childcare:



4-7 years



Hey Kids!

With Cheese Month coming up in October, we've got some school holiday fun to celebrate. We want you to get creative and colour this scene from 'Hey Diddle Diddle', the nursery rhyme that inspired our company name.

You've got from Saturday 23rd September until Wednesday 4th October to drop your entries into our shop. Make sure you include your name, age and contact number for a parent/caregiver.

After entries close, all of your artworks will go into a draw and one winner will take home a special goodie bag from Over the Moon Dairy.

We can't wait to see what you come up with!

- The team at Over the Moon Dairy

One entry per person

Store hours: Mon-Fri 9.30am-5pm / Sat-Sun 10am-4pm

Image source: Curious Custom



name:

age:

contact # (parent/caregiver):

